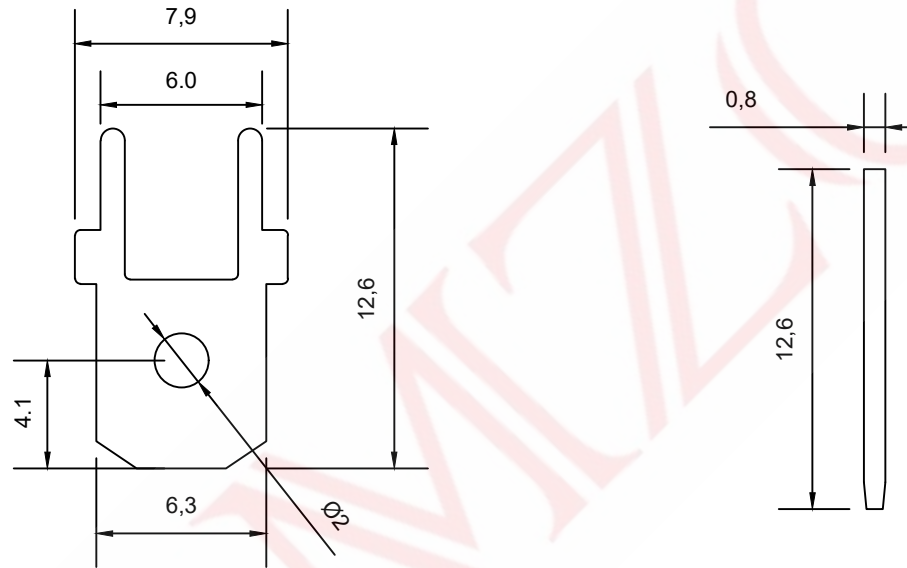


1 SAMZO 2 REAC/ROHS

REV	ECN NO	DESCRIPTION	DESIGN	APPROVAL	DATE
A1	NEW	Replace frame			2023.09.03

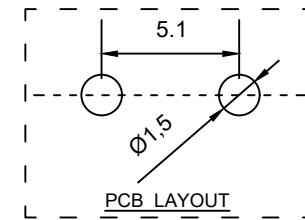


TERMINAL:

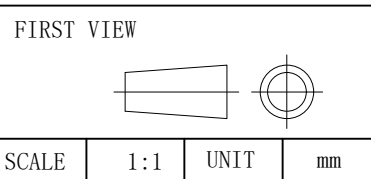
- >MATERIAL:C2680
- >THICKNESS:0.8mm
- >BAG QTY:5000PCS

NOTE:

- CURRENT RATING:20A MAX
- VOLTAGE RANGE:220V AC. DC
- TEMPERATURE RANGE:-20°C TO 105°C



ITEM	DESCRIPTION	MATERIAL	QTY	FINSH/COLOR					
A	主体	黄铜	1	镀锡					
					GENERAL TOLERANCE				
					DESIGN	WANGUIFA	2018.06.12	≥0~2<	±0.15
					CHECKED	ZHENGUILAN	2018.06.12	≥2~5<	±0.25
					APPROVED	LILIANJIANG	2018.06.14	≥0~2<	±0.15
								≥5	±0.35



The copyright belongs to samzo parts [China] Co., Ltd. please use the material after samzo parts agree to authorize. The final right of interpretation belongs to samzo parts. WWW.KKK-JP.COM

TITLE::	6.3*0.8 Ø2
DWG NO:	G63-18P02
PART NO:	G632315000
MODEL NO:	G630-08-2T
NAME:	GASKET

**SAMZO COMPONENTS**  
Electronic switch and connector manufacturer

