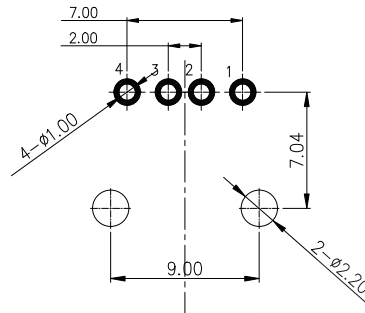
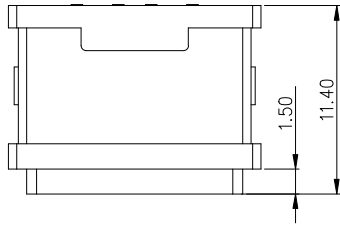


REACH/IIZ4IPX7

CAD GENERATED DRAWING. DON'T CHANGE BY HAND.

REV.	ECN. NO.	APPD.



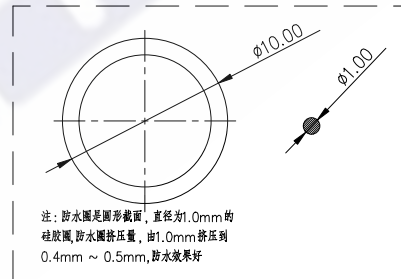
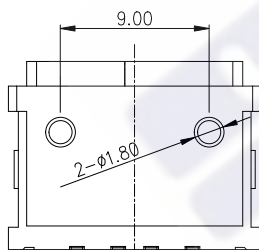
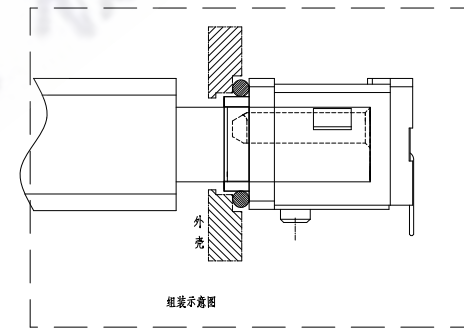
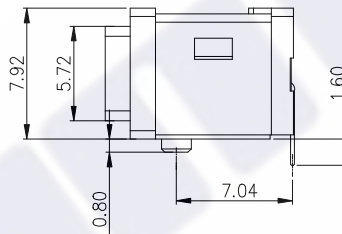
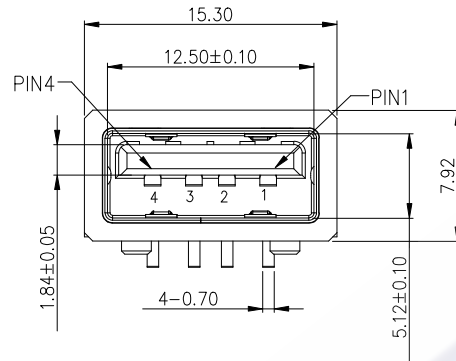
RECOMMENDED PCB LAYOUT(TOP VIEW)

THICKNESS T=1.0mm
DEFAULT TOLERANCE+/-0.05

NOTES:

SPECIFICATION:

1. CURRENT RATING: 3.0A MAX
2. DIELECTRIC WITHSTAND VOLTAGE: 100VAC
3. TEMPERATURE RANGE: -30 °C ~ 85 °C
4. CONTACT RESISTANCE: 40 MILLIONHM MAX
5. INSULATION RESISTANCE: 100 MEGOHMS MIN.
6. INSERTION FORCE : 10N~30N
7. UNMATING FORCE: 8N~30N
8. DURABILITY: 1500 CYCLES



注: 防水圈是圆形截面, 直径为1.0mm的硅胶圈, 防水圈挤压量, 由1.0mm挤压到0.4mm ~ 0.5mm, 防水效果好

PIN ASSIGNMENT

PIN NO.	1	2	3	4
SIGNAL NAME	VBUS	D-	D+	GND

4	Shell	1	SUS 301 1/4H	
3	PLASTIC Shell	1	PA10T (G.F30%)	
2	Contact	4	BRASS C2680-EH Au/Ni Plating T=0.25mm	
1	Housing	1	PA10T (G.F30%)	

ITEM	PART NAME	Q'TY	FINISH	NOTE
.X	± 0.50	.X.' ± 2'	UNITS mm	三佐部品【中国】股份有限公司
.X	± 0.30	.X' ± 1'		
.XX	± 0.10	.XX' ± 0.5'		
.XXX	± 0.05			
			MAT'L	PART NO. MTKHFO4WD1CDWNPP
			FINISH	TITLE: WATERPROOF USB 2.0 A TYPE
			Q'TY	DWG NO.: MTKHFO4WD1CDWNPP

The copyright belongs to samzo parts [China] Co., Ltd. please use the material after samzo parts agree to authorize. The final right of interpretation belongs to samzo parts.

APPD:	
CHKD:	
DR:	JANE CHOU 2021/10/20

SCALE	SHEET	REV.
1/1	1/1	A1