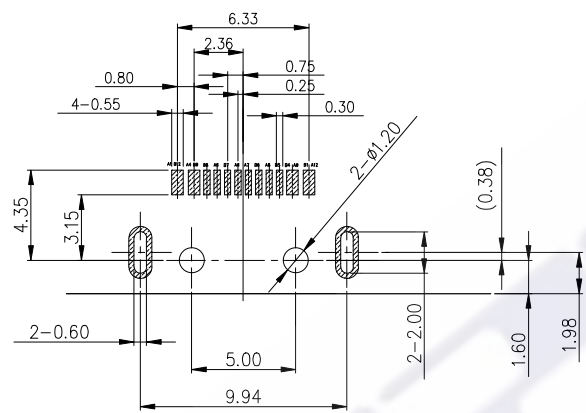
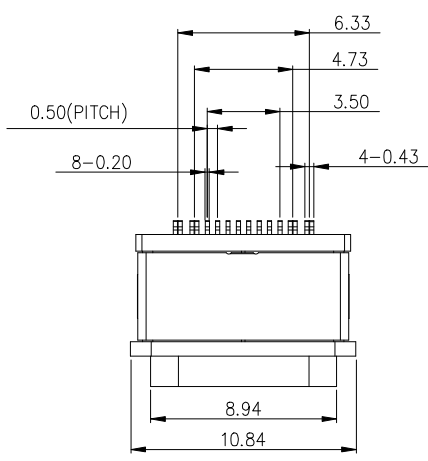
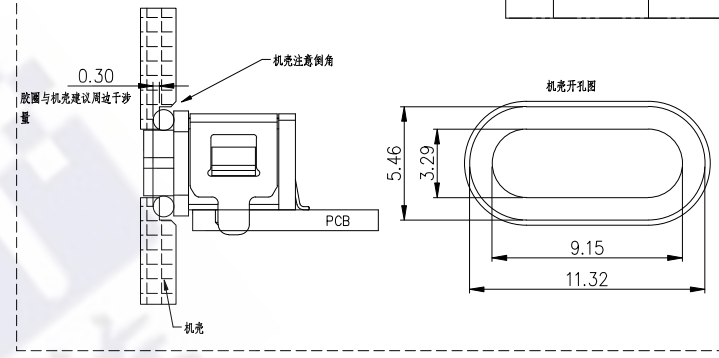


REACH/OOZEIPX8

| | | |
|------|----------|-------|
| REV. | ECN. NO. | APPD. |
| | | |

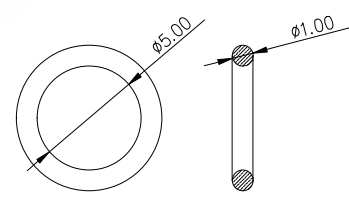
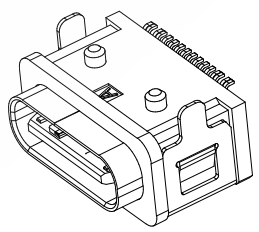
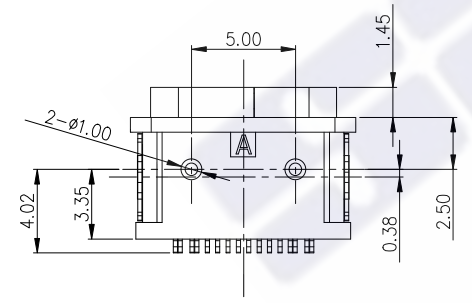
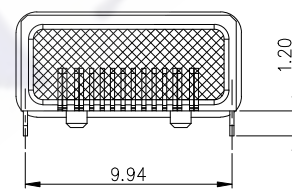
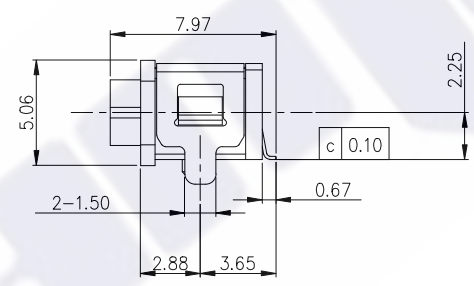
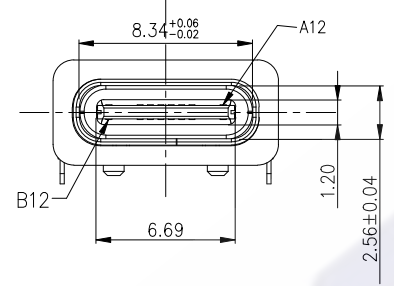


Recommended P.C.B. Layout
Unspecified tolerance: ±0.05
(Top view)



SPECIFICATION:

- CURRENT RATING: 3.0A MAX
- DIELECTRIC WITHSTAND VOLTAGE: 100VAC
- TEMPERATURE RANGE: -30 °C ~ 85 °C
- CONTACT RESISTANCE: 40 MILLIONHM MAX
- INSULATION RESISTANCE: 100 MEGOHMS MIN.
- INSERTION FORCE : 5N~20N
- UNMATING FORCE: 8N~20N
- DURABILITY: 10,000 CYCLES
- WATER PROOFNESS: THIS PRODUCT IS BASED ON IPX8.



注: 防水圈是圆形截面, 直径为1.0mm的硅胶圈, 防水圈挤压量, 由1.0mm挤压到0.5mm ~ 0.6mm, 防水效果好

| 5 | Shell2 | 1 | SUS301 Ni Plating T=0.20mm | Ni: 40u"Min; |
|------|-----------|------|--------------------------------------|---|
| 4 | Shell1 | 1 | SUS301 Ni Plating T=0.25mm | Ni: 40u"Min; |
| 3 | Housing2 | 1 | PA10T(G.F30%) | |
| 2 | Contact | 6 | C7025 TM03 Au/Ni Plating T=0.20mm | Ni: 40u"Min; Au: CONTACT AREA: 1u", OTHER AREA: G/F |
| 1 | Housing | 1 | PA10T (G.F30%) | |
| ITEM | PART NAME | Q'TY | FINISH | NOTE |

| | | | | |
|--|-------------|-------------|-------------------------------|---------------------------------|
| The copyright belongs to samzo parts [China] Co., Ltd. please use the material after samzo parts agree to authorize. The final right of interpretation belongs to samzo parts. | | UNITS mm | 三佐部品【中国】股份有限公司 | |
| | | MAT'L | PART NO. MTKEF16WD1ADWNG1N | TITLE: TYPE C 16Pin SMT Type |
| X. ± 0.50 | X.* ± 2* | FINISH | APPD: SEAGULL | DWG NO.: |
| .X ± 0.30 | .X* ± 1* | | CHKD: SEAGULL | MTKEF16WD1ADWNG1N |
| .XX ± 0.10 | .XX* ± 0.5* | Q'TY | DR: SEAGULL | |
| .XXX ± 0.05 | | | | |

| A1 | GND | B12 | GND |
|-----|-------------|-----|-------------|
| A4 | VBUS | B9 | VBUS |
| A5 | CC1 | B8 | SBU2 |
| A6 | DP1 | B7 | DN2 |
| A7 | DN1 | B6 | DP2 |
| A8 | SBU1 | B5 | CC2 |
| A9 | VBUS | B4 | VBUS |
| A12 | GND | B1 | GND |
| PIN | SIGNAL NAME | PIN | SIGNAL NAME |

| | | | |
|--|-------|-------|------|
| | SCALE | SHEET | REV. |
| | 1/1 | 1/2 | A1 |

A

B

C

D

E

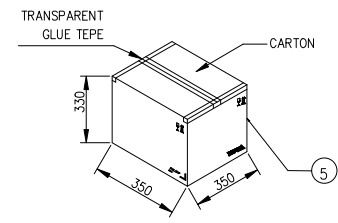
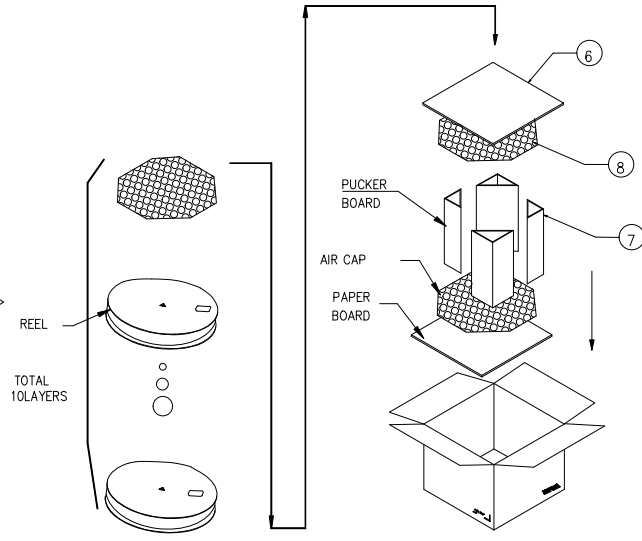
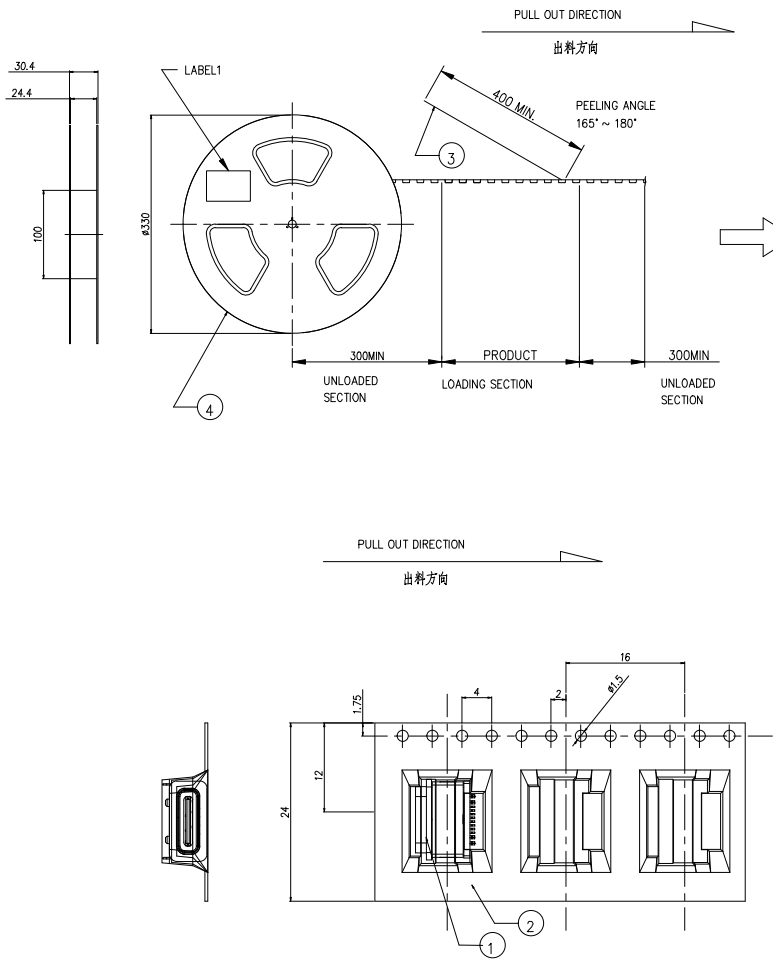
A

B

C

D

E



备注:
 1. 包装方式
 1-1: 使用半自包, 先 CARRY TAPE 送入中, 并 COVER TAPE 合在上面, 其中前端20空槽不要放品, 尾端20空槽不要放品, 然后品如所示方向依次放入 CARRY TAPE 每槽放1PCS;
 1.2. 用 CARRY TAPE 合在一起, 其空包装后在图示指定位置上 LABEL;
 1-3: 按图要求将10盒包装好的 REEL 套入防水袋后装入纸箱, 纸箱上下按图要求加垫硬纸板和海绵垫, 四角折三角垫固定;
 1-4: 将装好产品的纸箱按图要求封箱, 在指定区域贴好 LABEL;

2. 包量:
 600PCS/REEL;
 10REEL(6000PCS)/CARTON.

3. 耐刮高性:
 上臂引致力测试规格: 20-150gf
 测试条件: 以每分钟300mm 速度引拔测试

| | | | |
|-----|----------|----------------------------|---------|
| 8 | 气泡垫 | L=345,W=345,T=10 | 2PCS |
| 7 | 纸板(折三角垫) | L=430,W=330,T=6 | 4PCS |
| 6 | 硬纸板 | L=330,W=330,T=6 | 2PCS |
| 5 | 外箱 | L=350,W=350,H=330 | 1PCS |
| 4 | 卷盘 | PS,BLUE,A=330,B=100,W=32.4 | 10PCS |
| 3 | 上带 | PET,CLEAR,W=21.3 | 11.5m |
| 2 | 载带 | PS,BLACK,W=24,T=0.4,P=16 | 11.5m |
| 1 | UAB CONN | UAB CONN | 6000PCS |
| NO. | NAME | SPEC | Q'TY |

| | | | | | | | | | | | | |
|---------|-----|------------|-------------|--------|--------|--|-------|------------|---------|------------|----------------|------------------------|
| | | | | | | Angle | ±2' | DESIGN | 李元璋 | 2021.06.01 | 三佐部品【中国】股份有限公司 | |
| | | | | | | .x | ±0.30 | CHECK | | | TITLE: | TYPE-C 16P 防水母座包装规范 |
| | | | | | | .xx | ±0.25 | APPROVAL | | | MODEL NO. | MTKEF16WD1ADWNG1N 包装规范 |
| | A-0 | 2021.06.01 | NEW | 李海畴 | | .xxx | ±0.10 | | | | FILE NO. | Q/DY.QW-WP-XXX |
| ECN NO. | REV | DATE | DESCRIPTION | CHANGE | APPRO. | GENERAL TOLERANCE UNLESS OTHERWISE NOTED | | SCALE: 3:1 | UNIT:mm | A4 | SHEET: 1 of 2 | |