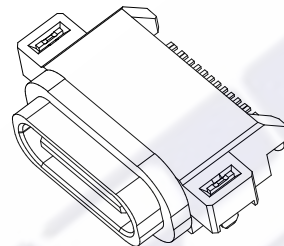
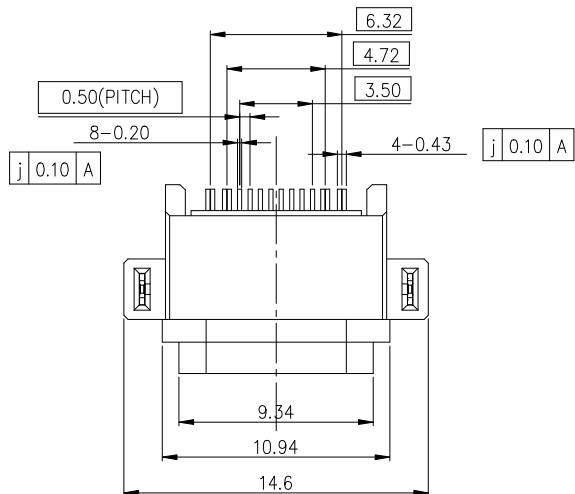
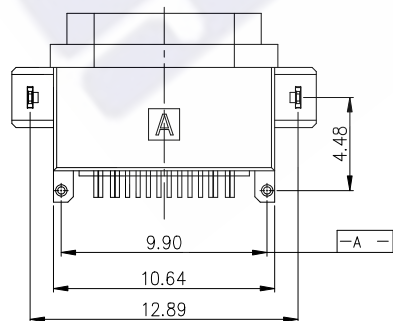
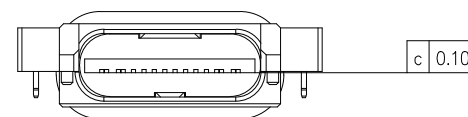
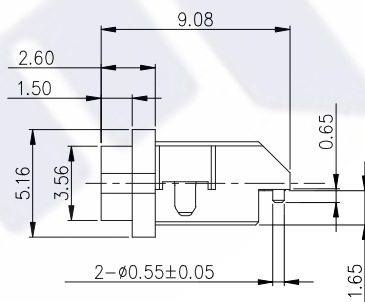
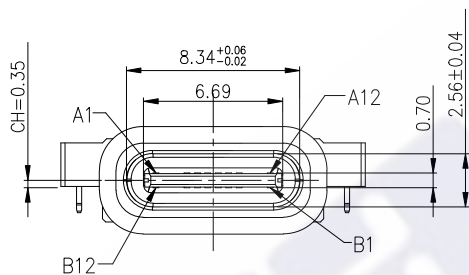


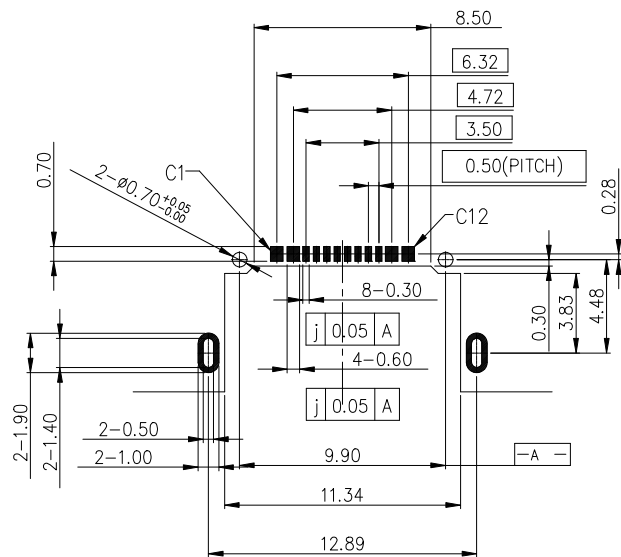
REV.	ECN. NO.	APPD.



- NOTES:  
SPECIFICATION:
1. CURRENT RATING: 3.0A MAX
  2. DIELECTRIC WITHSTAND VOLTAGE: 100VAC
  3. TEMPERATURE RANGE: -30 °C ~ 85 °C
  4. CONTACT RESISTANCE: 40 MILLIONHM MAX
  5. INSULATION RESISTANCE: 100 MEGOHMS MIN.
  6. INSERTION FORCE : 5N~20N
  7. UNMATING FORCE: 8N~20N
  8. DURABILITY: 10,000 CYCLES

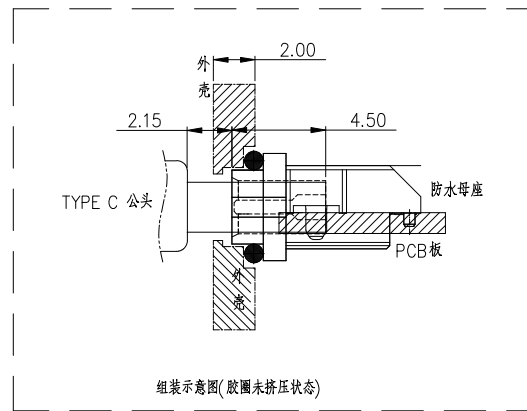
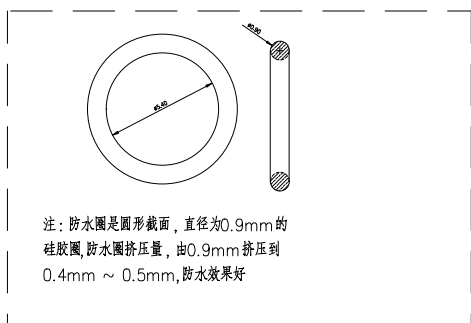


3	Shell	1	PA10T (G.F30%)	
2	Contact	5	C7025 TM03 Au/Ni Plating T=0.12mm	
1	Housing	1	PA10T (G.F30%)	
ITEM	PART NAME	Q'TY	FINISH	NOTE
The copyright belongs to samzo parts [China] Co., Ltd. please use the material after samzo parts agree to authorize. The final right of interpretation belongs to samzo parts.		UNITS	三佐部品【中国】股份有限公司	
		mm		
		MAT'L	PART NO. MTKEF16ED1BDWNPP	TITLE: TYPE C 2.0 16Pin SMT Type
		FINISH	APPD: RADOM	DWG NO.:
		Q'TY	CHKD: MARK	MTKEF16ED1BDWNPP
			DR: JANE CHOU 2018/09/26	SCALE SHEET REV.
X.	± 0.50	X.*	± 2*	1/1 1/2 A2
.X	± 0.30	.X*	± 1*	
.XX	± 0.10	.XX*	± 0.5*	
.XXX	± 0.05			



RECOMMENDED PCB LAYOUT(TOP VIEW)

THICKNESS T=1.0mm  
DEFAULT TOLERANCE+/-0.05



INTERFACE(FRONT VIEW)

A1	A2	A3	A4	A5	A6	A7	A8	A9	A10	A11	A12
GND			VBUS	CC1	DP1	DN1	SBU1	VBUS			GND
GND			VBUS	SBU2	DN2	DP2	CC2	VBUS			GND
B12	B11	B10	B9	B8	B7	B6	B5	B4	B3	B2	B1

PIN ASSIGNMENT

PIN NO.	A1&B12	A4&B9	B8	A5	B7	A6	A7	B6	A8	B5	A9&B4	A12&B1
SINGAL NAME	GND	VBUS	SBU2	CC1	DN2	DP1	DN1	DP2	SBU1	CC2	VBUS	GND
PCB PAD NO.	C1	C2	C3	C4	C5	C6	C7	C8	C9	C10	C11	C12

The copyright belongs to samzo parts [China] Co., Ltd. please use the material after samzo parts agree to authorize. The final right of interpretation belongs to samzo parts.	UNITS mm	三佐部品【中国】股份有限公司	
	MAT'L /	PART NO. MTKEF16ED1BDWNPP	TITLE: TYPE C 2.0 16Pin SMT Type
X. ± 0.50	X.' ± 2'	FINISH /	APPD: RADOM
.X ± 0.30	.X' ± 1'	Q'TY /	CHKD: MARK
.XX ± 0.10	.XX' ± 0.5'	DR: JANE CHOU 2018/09/26	DWG NO.: MTKEF16ED1BDWNPP
.XXX ± 0.05			SCALE SHEET REV. 1/1 2/2 A2