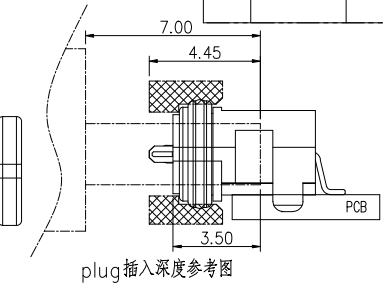
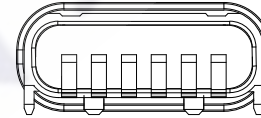
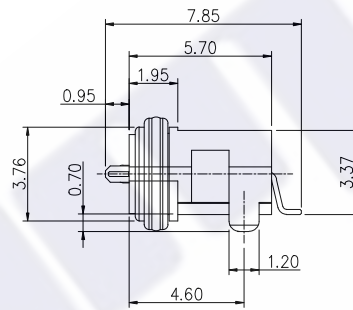
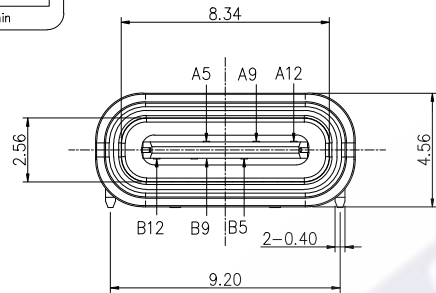
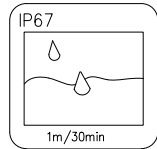


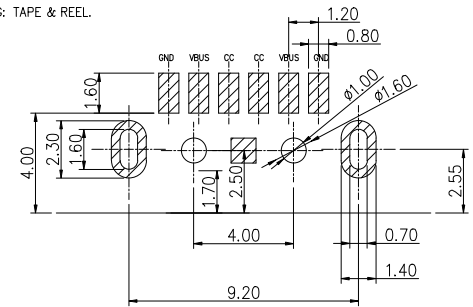
胶圈使用尺寸参考图



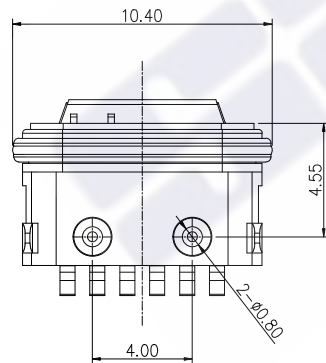
plug插入深度参考图



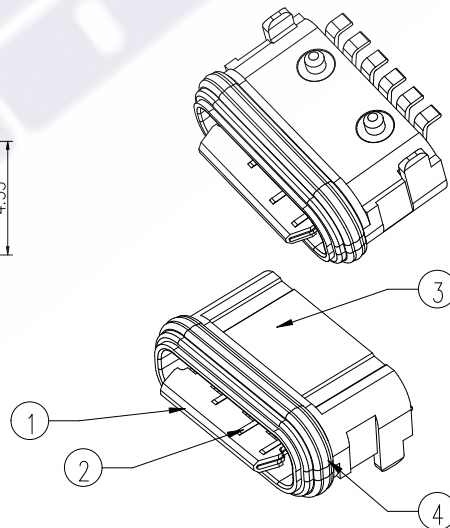
- SPECIFICATIONS:
- ELECTRICAL CHARACTERISTICS:
    - RATING: 3A;
    - CONTACT RESISTANCE: 30 mΩ MAX.(INITIAL);
    - DIELECTRIC WITHSTANDING: 100V AC MIN.;
    - INSULATION RESISTANCE: 100MΩ MIN.;
  - DURABILITY: 5,000 CYCLES MIN.;
  - INSERTION FORCE: 5-20N;
  - EXTRACTION FORCE: 8-20N;
  - WATER PROOFNESS: THIS PRODUCT IS BASED ON IPX7.
  - PLUG INTERFACE DIMENSIONS CONFORM TO USB2.0 SPEC.
  - PACKAGING: TAPE & REEL.



RECOMMENDED P.C.B LAYOUT TOP VIEW (TOLRANCE: ±0.05)



A5	CC1	B12	GND
A9	VBUS	B9	VBUS
A12	GND	B5	CC2
PIN	SIGNAL NAME	PIN	SIGNAL NAME



4	防水圈	1	硅胶 白色	
3	Shell	1	锌合金	Ni Plating
2	Contact	6	Phosphor bronze T=0.20mm	Au /Ni Plating
1	Housing	1	PA10T (G.F30%)	
ITEM	PART NAME	Q'TY	MATERIAL	FINISH

X. ± 0.50	X.' ± 2'	UNITS mm	三佐部品【中国】股份有限公司	
.X ± 0.30	.X' ± 1'			
.XX ± 0.10	.XX' ± 0.5'	MAT'L /	PART NO.	TITLE:
.XXX ± 0.05			MTKEF06WT1ADWNXH	TYPE C 6Pin 板上SMT Type
The copyright belongs to samzo parts [China] Co., Ltd. please use the material after samzo parts agree to authorize. The final right of interpretation belongs to samzo parts.		FINISH /	APPD:	DWG NO.:
			RADOM	MTKEF06WT1ADWNXH
		Q'TY /	CHKD:	SCALE
			MARK	1/1
			DR:	SHEET
			Steven.Rao 2020/03/08	1/1
				REV.
				A1