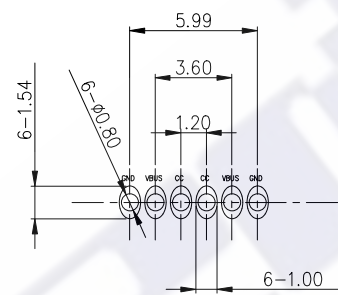


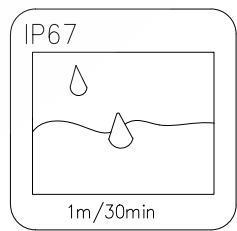
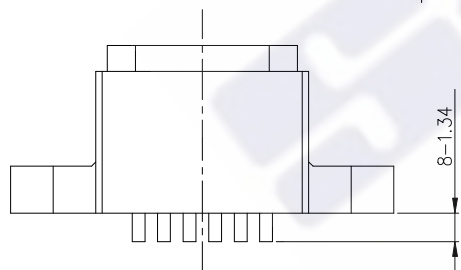
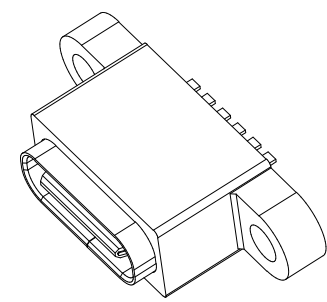
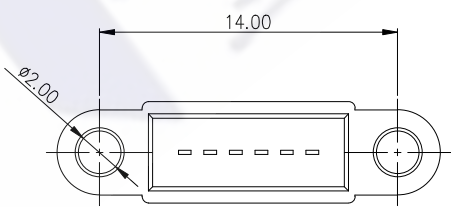
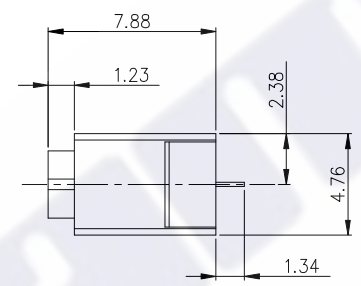
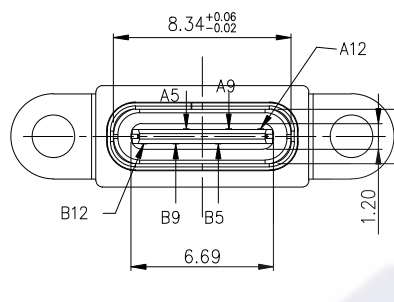
注：防水圈是圆形截面，直径为1.0mm的硅胶圈，防水圈挤压量，由1.0mm挤压到0.5mm ~ 0.6mm，防水效果好



Recommended P.C.B. Layout  
Unspecified tolerance:  $\pm 0.05$   
(Top view)

SPECIFICATION:

1. CURRENT RATING: 3.0A MAX
2. DIELECTRIC WITHSTAND VOLTAGE: 100VAC
3. TEMPERATURE RANGE:  $-30^{\circ}\text{C} \sim 85^{\circ}\text{C}$
4. CONTACT RESISTANCE: 40 MILLIONHM MAX
5. INSULATION RESISTANCE: 100 MEGOHMS MIN.
6. INSERTION FORCE : 5N~20N
7. UNMATING FORCE: 8N~20N
8. DURABILITY: 10,000 CYCLES
9. WATER PROOFNESS: THIS PRODUCT IS BASED ON IPX8.



A5	CC1	B12	GND
A9	VBUS	B9	VBUS
A12	GND	B5	CC2
PIN	SIGNAL NAME	PIN	SIGNAL NAME

5	Shell2	1	SUS301 Ni Plating T=0.20mm	Ni: 40~120u";
4	Shell1	1	SUS301 Ni Plating T=0.25mm	Ni: 40~120u";
3	Housing2	1	PA10T(G.F30%)	
2	Contact	5	Phosphor bronze C5210R-EH Au/Ni Plating T=0.20mm	Ni: 40~160u"; Au: CONTACT AREA: 3u", OTHER AREA: G/F
1	Housing	1	PA10T (G.F30%)	
ITEM	PART NAME	Q'TY	FINISH	NOTE

The copyright belongs to samzo parts [China] Co., Ltd. please use the material after samzo parts agree to authorize. The final right of interpretation belongs to samzo parts.

UNITS: mm

MAT'L: /

FINISH: /

Q'TY: /

三佐部品【中国】股份有限公司

PART NO.: MTKEF06LD1BWWNPP

TITLE: TYPE C 6Pin DIP Type

DWG NO.: MTKEF06LD1BWWNPP

SCALE	SHEET	REV.
1/1	1/2	A1