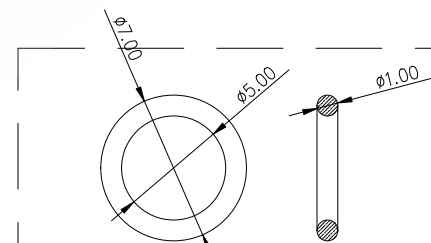
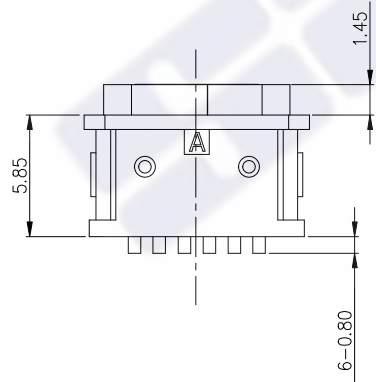
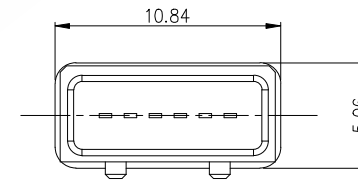
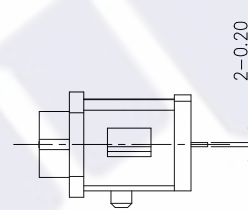
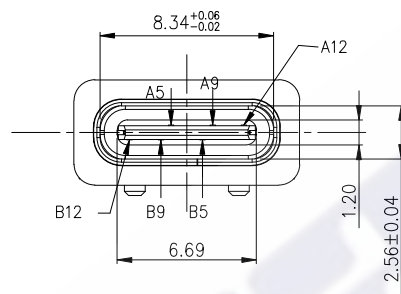


SPECIFICATION:

1. CURRENT RATING: 3.0A MAX
2. DIELECTRIC WITHSTAND VOLTAGE: 100VAC
3. TEMPERATURE RANGE: -30 °C ~ 85 °C
4. CONTACT RESISTANCE: 40 MILLIONHM MAX
5. INSULATION RESISTANCE: 100 MEGOHMS MIN.
6. INSERTION FORCE : 5N~20N
7. UNMATING FORCE: 8N~20N
8. DURABILITY: 10,000 CYCLES
9. WATER PROOFNESS: THIS PRODUCT IS BASED ON IPX8.



注：防水圈是圆形截面，直径为1.0mm的硅胶圈，防水圈挤压力，由1.0mm挤压到0.5mm ~ 0.6mm，防水效果好

|     |             |     |             |
|-----|-------------|-----|-------------|
| A5  | CC1         | B12 | GND         |
| A9  | VBUS        | B9  | VBUS        |
| A12 | GND         | B5  | CC2         |
| PIN | SIGNAL NAME | PIN | SIGNAL NAME |

| 4    | Shell1    | 1    | SUS301 Ni Plating T=0.25mm                          | Ni: 40u"Min;  |
|------|-----------|------|---|---|
| 3    | Housing2  | 1    | PA10T(G.F30%)                                       |   |
| 2    | Contact   | 5    | Phosphor bronze C5210R-EH<br>Au/Ni Plating T=0.20mm | Ni: 40u"Min;<br>Au: CONTACT AREA: 1u",<br>OTHER AREA: G/F |
| 1    | Housing   | 1    | PA10T (G.F30%)                                      |   |
| ITEM | PART NAME | Q'TY | FINISH  | NOTE  |

The copyright belongs to samzo parts [China] Co., Ltd. please use the material after samzo parts agree to authorize. The final right of interpretation belongs to samzo parts.

|             |                  |                      |       |
|-------------|------------------|----------------------|-------|
| UNITS       | 三佐部品【中国】股份有限公司   |                      |       |
| mm          |                  |                      |       |
| MAT'L       | PART NO.         | TITLE:               |       |
|             | MTKEF06LD1BWDNPP | TYPE C 6Pin SMT Type |       |
| FINISH      |                  | DWG NO.:             |       |
|             |                  | MTKEF06LD1BWDNPP     |       |
| .X ± 0.50   | .X' ± 1'         | SCALE                | SHEET |
| .XX ± 0.20  | .XX' ± 0.5'      | 1/1                  | 1/2   |
| .XXX ± 0.10 |                  | REV.                 | A1    |
|             |                  | DR: 2020/05/18       |       |