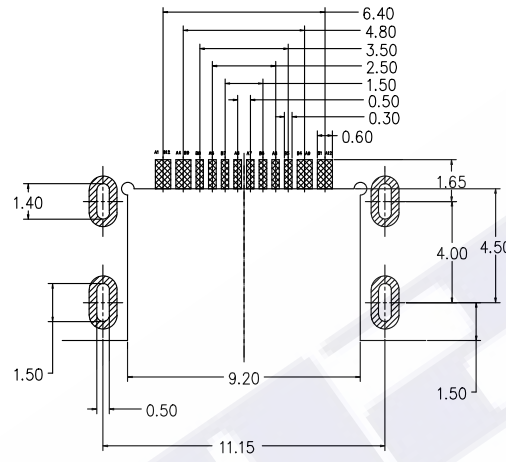
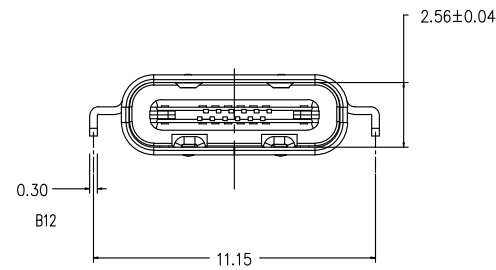


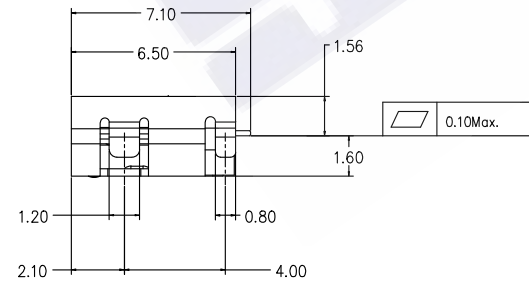
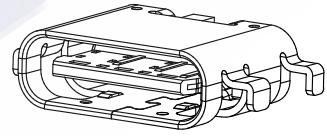
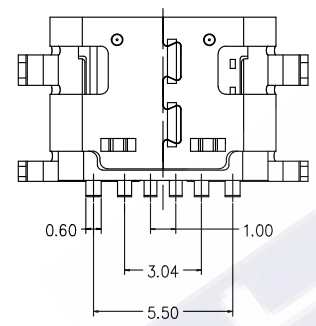
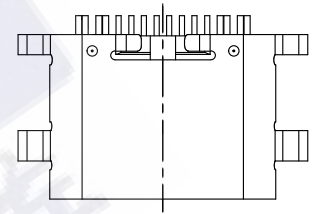


RoHS Compliant

REV.	ZONE	DESCRIPTION	DESIGN	DATE
B		NEW		



RECOMMENDED P.C.B. LAYOUT
TOLERANCE UNSPECIFIED ±0.05mm



- SPECIFICATION**
- 1. ELECTRICAL CHARACTERISTICS:**
- 1-1. VOLTAGE&CURRENT RATING:DC 30V MAX&3A
 - 1-2. CONTACT RESISTANCE: 40mΩ MAX INITIAL
 - 1-3. INSULATION RESISTANCE: 1000MΩ MIN FOR VOLTAGE 100VDC
 - 1-4. DIELECTRIC WITHSTAND: 100V AC for 1 MINUTE
 - 1-5. OPERATING TEMPERATURE: -25℃~+85℃
- 2. MECHANICAL CHARACTERISTICS:**
- 2-1. INSERT FORCE: 5~20N Max
 - 2-2. WITHDRAW FORCE: 5~20N Min
 - 2-3. LIFE TEST : 3,000 CYCLES

X.	± 0.50	X.*	± 2*	UNITS	mm
.X	± 0.30	.X*	± 1*		
.XX	± 0.10	.XX*	± 0.5*	MAT'L	/
.XXX	± 0.05				
FINISH				/	
Q'TY				/	

三佐部品【中国】股份有限公司

TITLE: USB 3.1type-c 16P 沉板1.6无弹

DWG NO.: MTKEP16ED1ADLNG1N

SCALE	SHEET	REV.
1/1	1/1	A1

A5	CC1	B12	GND
A9	VBUS	B9	VBUS
A12	GND	B5	CC2
PIN	SIGNAL NAME	PIN	SIGNAL NAME

THESE DRAWINGS AND SPECIFICATIONS ARE THE PROPERTY OF SHENZHEN CHUANGYUE TECHNOLOGY CO.,LTD. AND SHALL NOT BE REPRODUCED, COPIED OR USED IN ANY MANNER WITHOUT THE PRIOR WRITTEN CONSENT OF SHENZHEN CHUANGYUE TECHNOLOGY CO.,LTD.