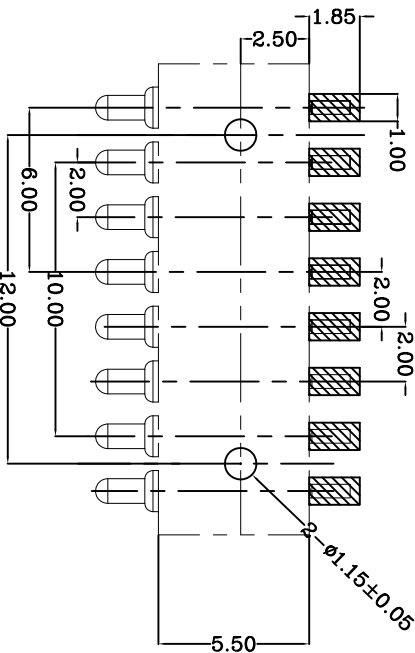
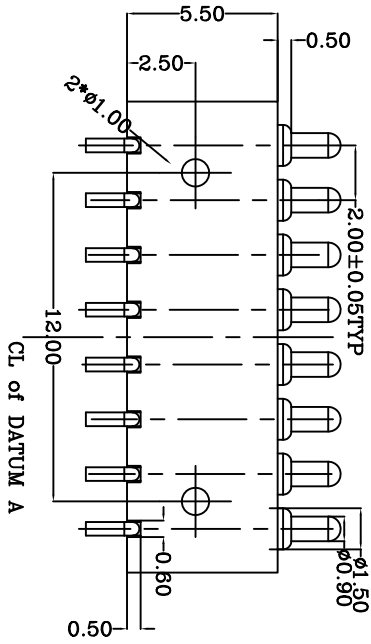
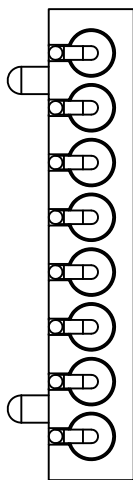
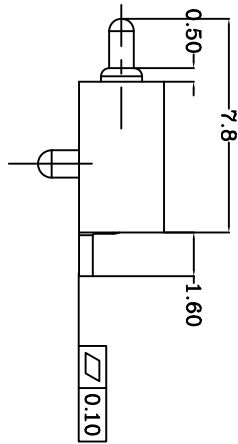
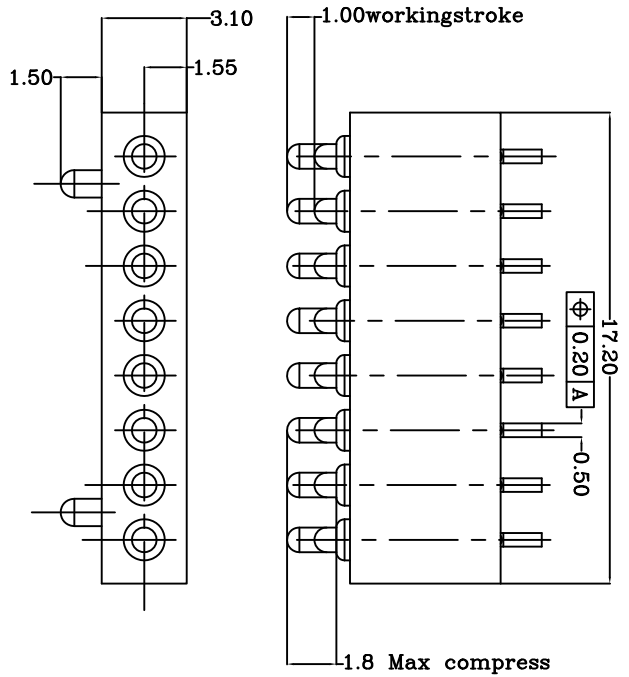


THIS INFORMATION IS CONFIDENTIAL AND IS DISCLOSED TO YOU ON CONDITION THAT NO FURTHER DISCLOSURE IS MADE BY YOU TO OTHER THAN TOP-LINK PERSONNEL WITHOUT WRITTEN AUTHORIZATION FROM TOP-LINK LTD.



DWG NO. C-110414



RECOMMENDED P.C.B LAYOUT

- Notes:
- 1 Material, Housing: PA 4,6 (30% Glass Filled)
Color Black.
 - 2 Mechanical demands:
Contact: Brass
Plating Plunger: Min. 0.4Um Au over 1.4um Ni
Plating Body: Min. 0.1Um Au over 1.4um Ni.

LDC	-
DIST	-

LTR	NEW	APVD	DATE
REVISION	RECORD		

DIMENSIONS IN MM
TOLERANCES UNLESS
OTHER SPECIFIED

0 = ±
0.0 = ±0.15
0.00 = ±0.10
0.000 = ±

ANGLE: ±1°

SURF TEXTURE: 3.2/

REMOVE BURRS, BREAK
SHARP EDGES R0.05 MAX
DD NOT SCALE PRINT

MATL	HT TR	FIN
DWN	APVD	
CHK	REL	
NAME	BATTERY POGO CONNECTOR 8 POSITIONS	
SCALE	A4	DWG NO. C-110414
1:1		

三佐株式会社

PART NUMBER

110414-8

USED DN

4

3

2

1

A

B

C

D